

Ø Ext. do Tubo de 3 a 16 mm

As conexões Norgren Pneufit® C estão prontas para o uso, oferecendo rápida montagem sem necessidade de ferramentas.

Ampla linha com mais de 1000 modelos de conexões.

Corpo em PBT (resina de poliéster termoplástico). Alta resistência mecânica e contra corrosão.

Anel de garra fabricado em aço inox, para fixar tubos de nylon (11 ou 12) ou tubos de poliuretano (dureza 85 ou 95).

Componentes em latão niquelado resistentes à corrosão proporcionam longa vida útil.

Ótima e rápida vedação. Roscas cônicas com película selante e roscas paralelas com canal para alojamento do O'ring.

Vedações isentas de silicone, evitando contaminação.

Furos de fixação nas conexões de união, permitindo montagens limpas.

Linha Miniatura Pneufit® M, como alternativa compacta para montagens em locais com espaço reduzido.



Características Técnicas

Pressão de Operação:

750 mm Hg de vácuo, até 10 bar

Temperatura:

0 a 60°C

Fluido:

Ar comprimido

Diâmetros dos Tubos:

Padrão: 4, 6, 8, 10, 12, 16 mm

Miniatura: 3, 4 e 6 mm

Roscas:

Padrão: M5, M6, 1/8, 1/4, 3/8 e 1/2" ISO G e ISO R

Miniatura: M3, M5, 1/8" ISO R

Tipos de Tubos:

Nylon 11 ou 12

Poliuretano (dureza 85, 95)

Materiais:

Corpo: PBT (resina de poliéster termoplástico)

Vedações: NBR (isento de silicone)

Rosca do Corpo: latão niquelado

Botão de liberação e apoio do O'ring: POM (Polioximetileno)

Anel de garra: aço inox

Colar: latão niquelado

Película selante da rosca: threebond 2350B

Informações para Pedidos

Veja tabela na página 2.

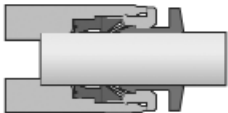
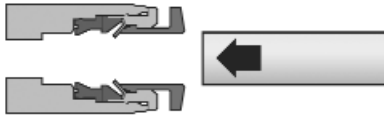


Método de Montagem



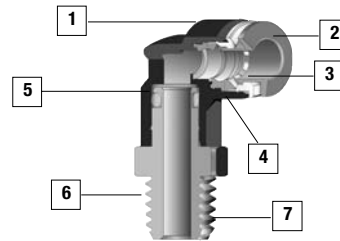
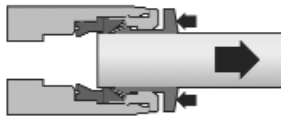
1. Certifique-se que o tubo esteja cortado em esquadro e livre de rebarbas.

2. Empurre o tubo através do botão vermelho e do azul da garra dentro da conexão.



3. Empurre o tubo firmemente através do O'ring até encostar no fundo da conexão. Logo em seguida, puxe-o.

4. Para soltar, empurre o tubo para dentro da conexão, mantenha abaixado o botão vermelho e retire o tubo.



1 Corpo em PBT resistente à impacto, em preto para Pneufit® C e cinza claro para Pneufit® M (miniatura).

2 Botão de liberação vermelho para métrico, cinza para polegada e cinza claro para Pneufit® M (miniatura).

3 Anel de garra de aço inox com desenho especial para reter tubos macios e proporcionar fácil desmontagem.

4 Vedações isentas de silicone proporcionam uma ótima vedação, mesmo sob carga lateral.

5 Adaptador liso proporciona uma ótima vedação nas conexões com giro de 360°.

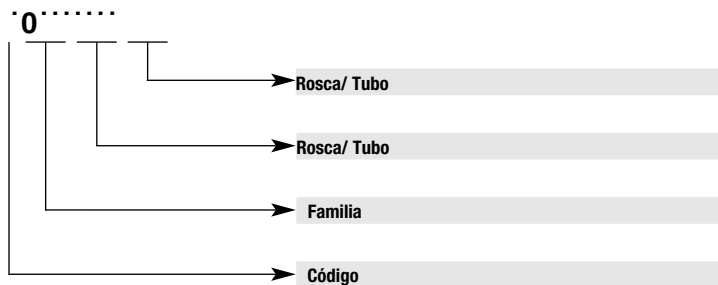
6 Rosca de latão niquelado.

7 Rosca cônica com película selante e rosca paralela com canal para alojamento do O'ring, proporcionam rápida e ótima vedação.

Modelos

Série
Pneufit C Padrão
Pneufit M Miniatura

Substituir
C
M



Pneufit M

Conexões Retas e Adaptadores

União Reta M0020  Pág. 10.01.16	União Reta Redutora M0020  Pág. 10.01.16	Conexão Reta M0225  Pág. 10.01.16	Conexão Reta Fêmea (sext. interno) M022A  Pág. 10.01.16	Conexão Reta Fêmea M0226  Pág. 10.01.16
--	---	--	---	---

Cotovelos e Conexões 'T' e Adaptadores

União Cotovelo M0040  Pág. 10.01.16	Cotovelo Macho Giratório M0247  Pág. 10.01.16	União 'T' M0060  Pág. 10.01.17	'T' Macho Central Giratório M0267  Pág. 10.01.17	'T' Macho Lateral Giratório M0268  Pág. 10.01.17
--	--	---	---	--










Pneufit C
Conexões Retas e Adaptadores

União Reta C0020  Pág. 10.01.5	União Reta Redutora C0020  Pág. 10.01.5	Conexão Reta BSPT C0125  Pág. 10.01.5	Conexão Reta BSPP C0225  Pág. 10.01.5	Conexão Reta BSPT (sext. interno) C012A  Pág. 10.01.5	Conexão Reta Fêmea C0226  Pág. 10.01.6	Adaptador Redutor C0023  Pág. 10.01.7
Adaptador de Expansão C0023  Pág. 10.01.6	União para Painel C0029  Pág. 10.01.6	União para Painel tubo/ rosca C0232  Pág. 10.01.6	União Reta Redutora C0022  Pág. 10.01.7	Plug C0004  Pág. 10.01.7	Plug para tubo C0012  Pág. 10.01.7	

Cotovelos e Adaptadores

União Cotovelo C0040  Pág. 10.01.7	Cotovelo Macho Giratório BSPT C0147  Pág. 10.01.7	Cotovelo Macho Giratório BSPP C0247  Pág. 10.01.7	Adaptador Cotovelo C0043  Pág. 10.01.8	Cotovelo Macho Giratório Estendido BSPT/BSPP C0154 C0254  Pág. 10.01.8	Cotovelo Fêmea Giratório C0148 C0248  Pág. 10.01.8	
Banjo C0A51  Pág. 10.01.9	Banjo Fêmea C0D51 C0E51 C0F51 C0G51  Pág. 10.01.9	Banjo com Controle de Fluxo (saída) C0TA0  Pág. 10.01.9	Banjo com Controle de Fluxo (saída) C0K51  Pág. 10.01.9	Banjo com Controle de Fluxo (entrada) C0SA0  Pág. 10.01.10	Banjo com Controle de Fluxo (entrada) C0L51  Pág. 10.01.10	Válvula Controladora de Fluxo C00GE  Pág. 10.01.10





Conexões 'T' e Adaptadores

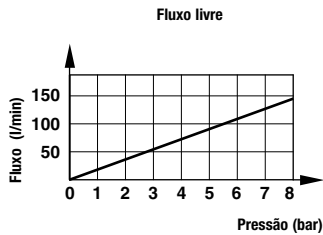
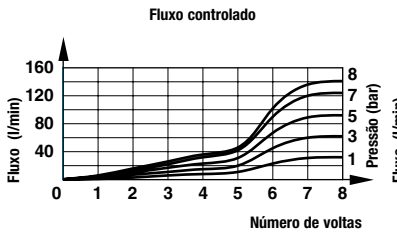
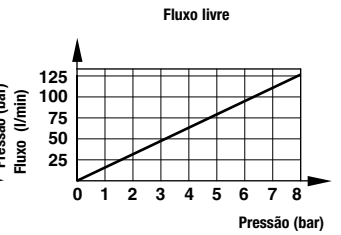
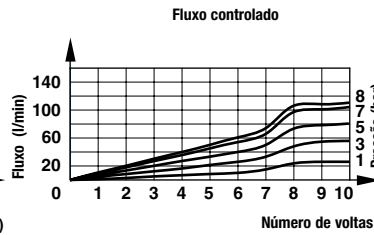
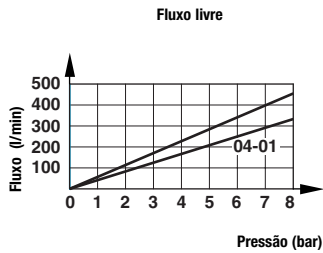
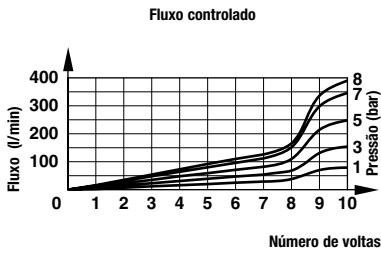
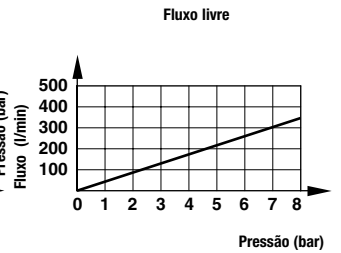
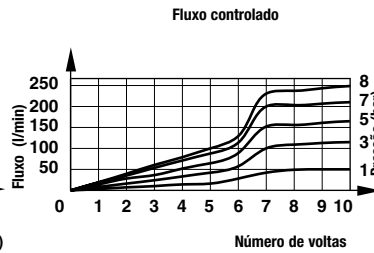
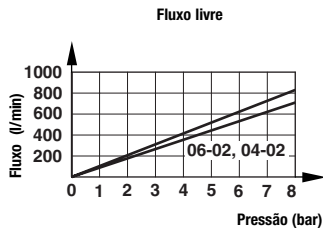
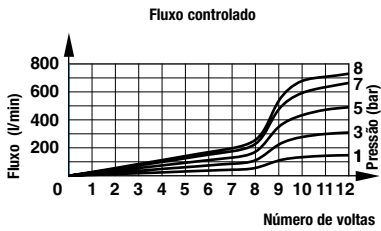
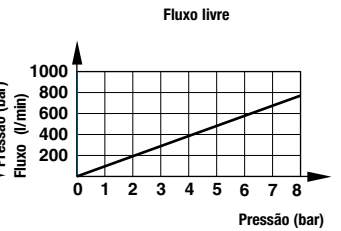
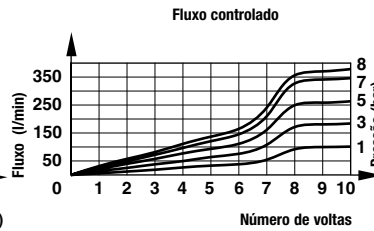
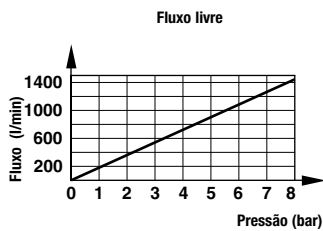
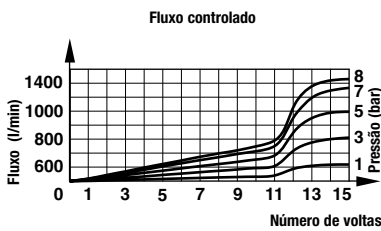
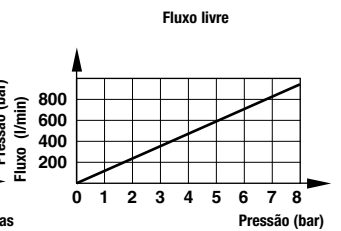
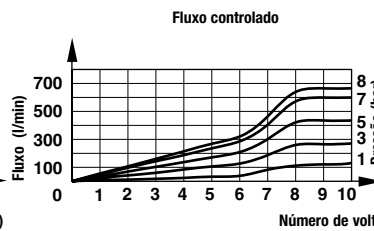
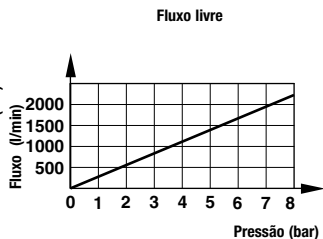
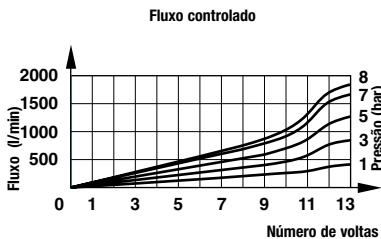
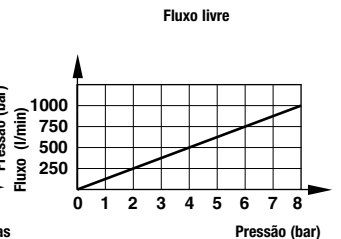
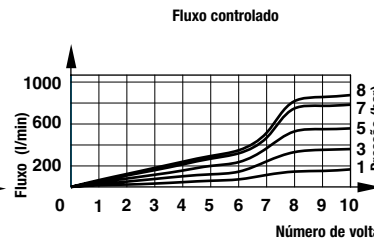
União 'T' C0060  Pág. 10.01.10	'T' Macho Central Giratório C0167  Pág. 10.01.11	'T' Macho Central Giratório C0267  Pág. 10.01.11	'T' Macho Lateral Giratório BSPT C0168  Pág. 10.01.11	'T' Macho Lateral Giratório BSPP C0268  Pág. 10.01.11	União 'T' Redutora C006A  Pág. 10.01.10	'T' Adaptador Central C0063  Pág. 10.01.12
'T' Adaptador Lateral C0064  Pág. 10.01.12	'T' Fêmea Central Giratório C016C/C026C  Pág. 10.01.12					

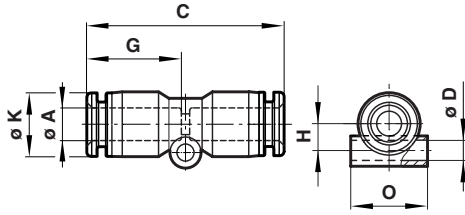
Conexões Y

União Y C0082  Pág. 10.01.13	Y Macho Giratório C0188  Pág. 10.01.13	Y Macho Giratório C0288  Pág. 10.01.14	Adaptador Y C0084  Pág. 10.01.14
--	--	--	--

Distribuidores

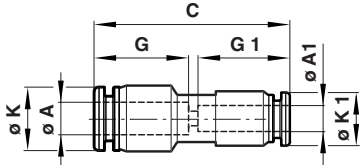
Cruzeta C0090  Pág. 10.01.14	Distribuidor União C00D3  Pág. 10.01.15	Distribuidor Macho C01D3  Pág. 10.01.15	Distribuidor Adaptador C00J3  Pág. 10.01.15
--	---	---	---

Fluxos para os banjos C0K51, C0TA0, C0L51 e C0SA0
**3, 4 e 6 mm
M5**

Fluxo para o banjo C00GE
C00GE0400

**4, 6 e 8 mm
1/8**

C00GE0600

**4, 6, 8, 10 e 12 mm
1/4**

C00GE0800

**6, 8, 10 e 12 mm
3/8**

C00GE1000

**8, 10 e 12 mm
1/2**

C00GE1200


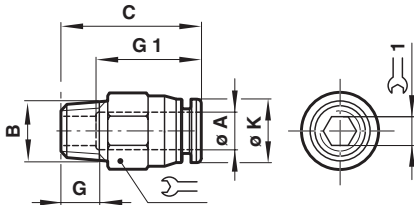
C0020

União Retã

Ø A	C	Ø D	G	H	Ø K	O	Código
4	34,5	3,3	16,5	4,5	9,5	10,5	C00200400
6	37,0	3,3	17,5	5,5	12,0	12,5	C00200600
8	39,5	4,3	18,5	7,0	14,0	14,5	C00200800
10	43,0	4,3	19,5	8,0	16,5	17,5	C00201000
12	48,0	4,3	22,0	9,5	19,0	20,5	C00201200
16	51,0	-*	24,0	-*	25,0	-*	C00201600

* sem furos de fixação para 16 mm

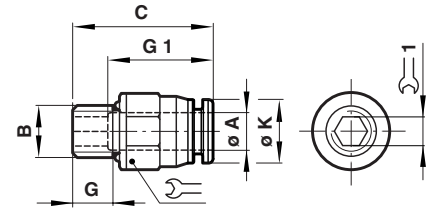
C0020

**União Retã
(Unequal)**

Ø A	Ø A1	C	G	G1	Ø K	Ø K1	Código
6	4	36,5	17,5	16,5	12,0	9,5	C00200604
8	6	37,5	18,5	17,5	14,0	12,0	C00200806
10	8	41,0	19,5	18,5	16,5	14,0	C00201008
12	10	44,0	22,0	19,5	19,0	16,5	C00201210
16	12	49,5	24,0	22,0	25,0	19,0	C00201612

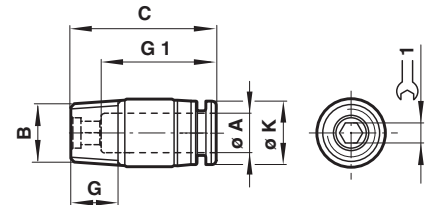
C0125

Conexão Retã

(somente sextavado externo)

Ø A	B	C	G	G1	Ø K	1	Código	
4	R1/8	21,5	8,0	16,0	9,5	10	3	C01250418
4	R1/4	20,5	10,0	16,0	9,5	14	3	C01250428
4	R3/8	22,0	11,0	16,0	9,5	17	3	C01250438
6	R1/8	22,0	8,0	16,5	12,0	12	4	C01250618
6	R1/4	21,0	10,0	16,5	12,0	14	5	C01250628
6	R3/8	22,0	11,0	16,5	12,0	17	5	C01250638
6	R1/2	29,5	14,0	16,5	12,0	19	5	C01250648
8	R1/8	27,5	8,0	17,5	14,0	14	5	C01250818
8	R1/4	25,5	10,0	17,5	14,0	14	6	C01250828
8	R3/8	23,0	11,0	17,5	14,0	17	6	C01250838
8	R1/2	29,5	14,0	17,5	14,0	19	6	C01250848
10	R1/8	28,5	8,0	18,5	16,5	17	5	C01251018
10	R1/4	30,5	10,0	18,5	16,5	17	6	C01251028
10	R3/8	24,5	11,0	18,5	16,5	17	8	C01251038
10	R1/2	29,5	14,0	18,5	16,5	19	8	C01251048
12	R1/8	31,5	8,0	21,0	19,0	19	5	C01251218
12	R1/4	33,0	10,0	21,0	19,0	19	6	C01251228
12	R3/8	30,0	11,0	21,0	19,0	19	8	C01251238
12	R1/2	30,0	14,0	21,0	19,0	19	8	C01251248
16	R3/8	37,5	11,0	25,0	25,0	24	8	C01251638
16	R1/2	40,5	14,0	25,0	25,0	24	10	C01251648

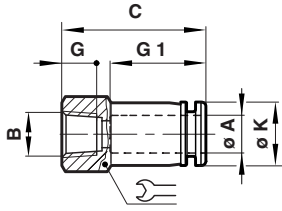
C0225

Conexão Retã BSPP

Ø A	B	C	G	G1	Ø K	1	Código	
4	M5	22,0	4,0	16,0	9,5	10	2	C02250405
4	M6	22,0	8,0	16,0	9,5	10	2	C02250406
4	G1/8	21,5	6,0	16,0	9,5	13	3	C02250418
4	G1/4	23,5	8,0	16,0	9,5	15	3	C02250428
4	G3/8	22,0	8,0	16,0	9,5	17	3	C02250438
6	M5	23,5	5,0	16,5	12,0	10	2	C02250605
6	M6	23,0	4,0	16,5	12,0	12	2	C02250606
6	G1/8	26,5	6,0	17,5	12,0	15	5	C02250618
6	G1/4	24,5	8,0	16,5	12,0	15	5	C02250628
6	G3/8	25,5	8,0	16,5	12,0	17	5	C02250638
8	G1/8	26,5	6,0	17,5	14,0	15	5	C02250818
8	G1/4	26,5	8,0	17,5	14,0	15	6	C02250828
8	G3/8	25,0	8,0	17,5	14,0	17	6	C02250838
8	G1/2	26,0	9,0	17,5	14,0	21	6	C02250848
10	G1/8	29,5	6,0	18,5	16,5	17	5	C02251018
10	G1/4	30,0	8,0	18,5	16,5	17	8	C02251028
10	G3/8	27,0	8,0	18,5	16,5	17	8	C02251038
10	G1/2	28,5	9,0	18,5	16,5	21	8	C02251048
12	G1/4	32,0	8,0	21,0	19,0	19	8	C02251228
12	G3/8	31,5	8,0	21,0	19,0	19	8	C02251238
12	G1/2	31,5	9,0	21,0	19,0	21	8	C02251248
16	G3/8	36,5	8,0	25,0	25,0	24	8	C02251638
16	G1/2	36,5	9,0	25,0	25,0	24	10	C02251648

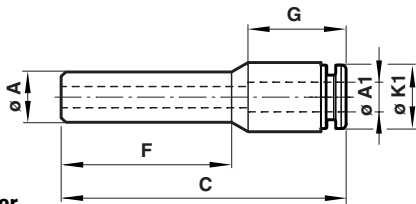
C012A

Conexão Retã

(somente sextavado interno)

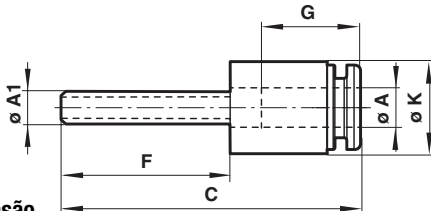
Ø A	B	C	G	G1	Ø K	1	Código
4	M5	22,0	4,5	16,0	9,5	2	C022A0405
4	M6	22,0	4,0	16,0	9,5	2	C022A0406
4	R1/8	20,5	8,0	16,0	9,5	3	C012A0418
4	R1/4	20,5	10,0	16,0	9,5	3	C012A0428
4	R3/8	20,5	11,0	16,0	9,5	3	C012A0438
6	M5	22,5	5,0	16,5	12,0	2	C022A0605
6	M6	22,5	4,0	16,5	12,0	2	C022A0606
6	R1/8	22,0	8,0	16,5	12,0	4	C012A0618
6	R1/4	22,5	10,0	16,5	12,0	4	C012A0628
6	R3/8	22,5	11,0	16,5	12,0	4	C012A0638
8	R1/8	27,0	8,0	17,5	14,0	4	C012A0818
8	R1/4	25,0	10,0	17,5	14,0	6	C012A0828
8	R3/8	25,0	11,0	17,5	14,0	6	C012A0838
8	R1/2	25,0	14,0	17,5	14,0	6	C012A0848
10	R1/8	28,0	8,0	18,5	16,5	5	C012A1018
10	R1/4	29,0	10,0	18,5	16,5	6	C012A1028
10	R3/8	29,0	11,0	18,5	16,5	6	C012A1038
10	R1/2	29,0	14,0	18,5	16,5	6	C012A1048
12	R1/8	35,0	8,0	21,0	19,0	5	C012A1218
12	R1/4	32,5	10,0	21,0	19,0	6	C012A1228
12	R3/8	32,5	11,0	21,0	19,0	8	C012A1238
12	R1/2	32,5	14,0	21,0	19,0	8	C012A1248

C0226

Conexão Retra
(rosca fêmea)

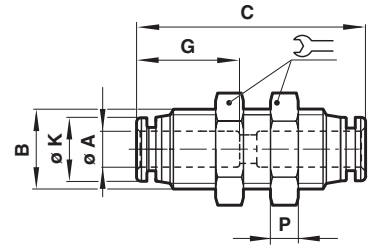
Ø A	B	C	G	G1	Ø K	≅	Código
4	G1/8	26,5	9,0	16,0	9,5	14	C02260418
4	G1/4	28,5	11,0	16,0	9,5	17	C02260428
4	G3/8	30,0	12,0	16,0	9,5	22	C02260438
6	G1/8	27,5	9,0	16,5	12,0	14	C02260618
6	G1/4	29,5	11,0	16,5	12,0	17	C02260628
6	G3/8	30,0	12,0	16,5	12,0	22	C02260638
8	G1/8	28,5	9,0	17,5	14,0	14	C02260818
8	G1/4	30,5	11,0	17,5	14,0	17	C02260828
8	G3/8	31,5	12,0	17,5	14,0	22	C02260838
8	G1/2	34,5	14,0	17,5	14,0	24	C02260848
10	G1/8	31,5	9,0	18,5	16,5	17	C02261018
10	G1/4	31,5	11,0	18,5	16,5	17	C02261028
10	G3/8	32,5	12,0	18,5	16,5	22	C02261038
10	G1/2	34,5	14,0	18,5	16,5	24	C02261048
12	G1/4	34,5	11,0	21,0	19,0	22	C02261228
12	G3/8	34,5	12,0	21,0	19,0	22	C02261238
12	G1/2	36,5	14,0	21,0	19,0	24	C02261248

C0023

Adaptador Redutor
(Liso/tubo)

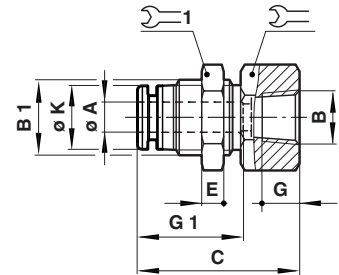
Ø A	Ø A1	C	F	G	Ø K1	Código
6	4	41,0	21,5	13,0	9,5	C00230604
8	4	42,0	22,5	13,0	9,5	C00230804
8	6	44,5	23,5	13,5	12,0	C00230806
10	6	47,5	26,5	13,5	12,0	C00231006
10	8	49,5	27,5	14,0	14,0	C00231008
12	6	52,0	29,5	13,5	12,0	C00231206
12	8	52,5	30,5	14,0	14,0	C00231208
12	10	56,5	31,0	15,0	16,5	C00231210
16	12	63	37,5	23	20	C00231612

C0023

Adaptador de Expansão
(Liso/tubo)

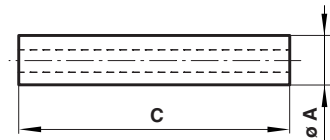
Ø A	Ø A1	C	F	G	Ø K	Código
6	4	41,0	24,0	13,5	12,0	C00230406
8	6	44,0	26,5	14,0	14,0	C00230608

C0029

União para Painel

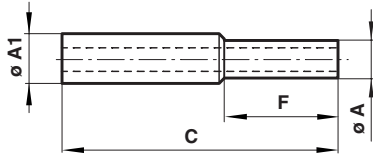
Ø A	B	C	G	Ø K	P	≅	Código
4	M12x1	35,5	16,5	9,5	4	14	C00290400
6	M14x1	40,0	17,5	12,0	4	17	C00290600
8	M16x1	42,0	18,5	14,0	5	19	C00290800
10	M20x1	45,0	19,5	16,5	5	24	C00291000
12	M22x1	50,5	22,0	19,0	5	26	C00291200

C0232

Conexão Retra

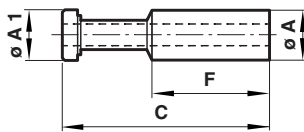
Ø A	B	B1	C	G	G1	Ø K	≅	≅ 1	Código
4	G1/8	M12x1	26,5	9,0	17,0	9,5	14	14	C02320418
4	G1/4	M12x1	29,0	11,0	17,0	9,5	17	17	C02320428
4	G3/8	M12x1	30,0	12,0	17,0	9,5	17	19	C02320438
6	G1/8	M14x1	28,5	9,0	17,5	12,0	17	17	C02320618
6	G1/4	M14x1	30,5	11,0	17,5	12,0	17	17	C02320628
6	G3/8	M14x1	31,5	12,0	17,5	12,0	17	22	C02320638
8	G1/8	M16x1	29,5	9,0	18,5	14,0	19	19	C02320818
8	G1/4	M16x1	31,5	11,0	18,5	14,0	19	19	C02320828
8	G3/8	M16x1	32,5	12,0	18,5	14,0	19	22	C02320838
10	G1/4	M20x1	32,5	11,0	19,5	16,5	24	24	C02321028
10	G3/8	M20x1	33,5	12,0	19,5	16,5	24	24	C02321038
10	G1/2	M20x1	36,0	14,0	19,5	16,5	24	24	C02321048
12	G1/4	M22x1	38,0	11,0	22,0	19,0	28	24	C02321228
12	G3/8	M22x1	38,0	12,0	22,0	19,0	26	24	C02321238
12	G1/2	M22x1	40,0	14,0	22,0	19,0	26	24	C02321248

C0022

União Retra Macho

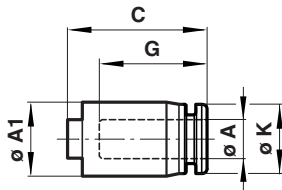
Ø A	C	Código
4	37,0	C00220400
6	38,0	C00220600
8	41,0	C00220800
10	44,0	C00221000
12	49,0	C00221200
16	53,0	C00221600

C0022

União Reta Redutora

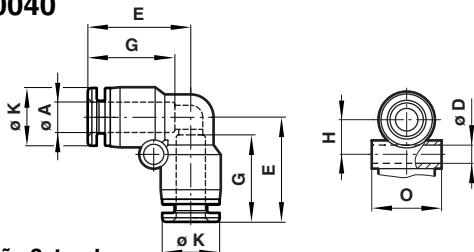
Ø A	Ø A1	C	F	Código
4	6	38,0	18,0	C00220604
6	8	41,5	20,5	C00220806
8	10	43,5	21,5	C00221008
10	12	46,5	22,5	C00221210
12	16	52,0	25,0	C00221612

C0004

Plug

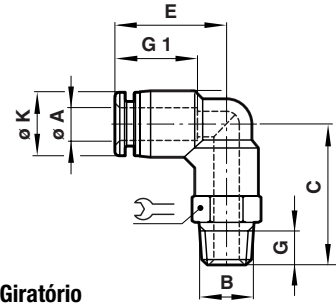
Ø A	Ø A1	C	F	Código
4	4	30,0	17,5	C00040400
6	6	34,0	18,5	C00040600
8	8	38,0	21,0	C00040800
10	10	42,0	24,0	C00041000
12	12	46,0	29,5	C00041200

C0012

Plug para tubo

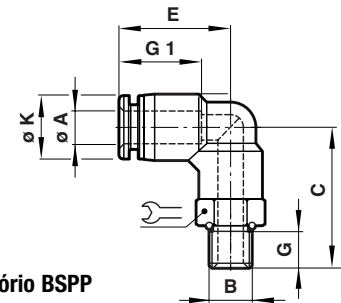
Ø A	Ø A1	C	G	Ø K	Código
4	10,5	18,0	17,0	9,5	C00120400
6	12,5	19,0	17,5	12,0	C00120600
8	14,5	21,0	18,5	14,0	C00120800
10	17,5	23,0	19,5	16,5	C00121000
12	19,5	25,0	22,0	19,0	C00121200
16	24,0	25,0	18,0	25,0	C00121600

C0040

União Cotovelo

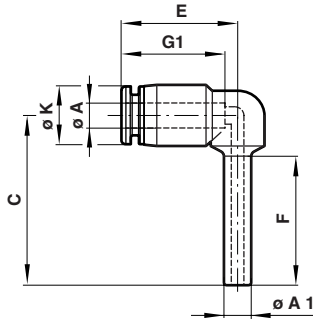
Ø A	Ø D	E	G	H	Ø K	O	Código
4	3,3	19,0	15,5	8,5	9,5	10,5	C00400400
6	3,3	21,0	17,5	7,5	12,0	12,5	C00400600
8	4,3	22,5	18,5	9,0	14,0	14,5	C00400800
10	4,3	26,0	20,0	12,0	16,5	18,0	C00401000
12	4,3	30,0	23,0	13,5	19,0	21,0	C00401200
16	4,3	34,0	24,0	16,0	25,0	25,5	C00401600

C0147

Cotovelo Macho Giratório

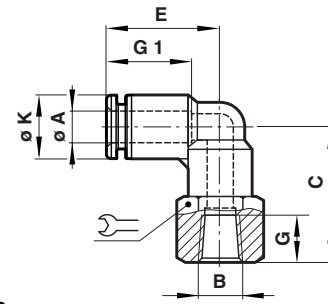
Ø A	B	C	E	G	G1	Ø K	⌀	Código
4	R1/8	24,5	18,5	8,0	17,0	9,5	10	C01470418
4	R1/4	26,5	18,5	10,0	17,0	9,5	14	C01470428
4	R3/8	27,5	18,5	11,0	17,0	9,5	17	C01470438
6	R1/8	26,5	20,5	8,0	17,5	12,0	12	C01470618
6	R1/4	29,5	20,5	10,0	17,5	12,0	14	C01470628
6	R3/8	30,5	20,5	11,0	17,5	12,0	17	C01470638
6	R1/2	33,5	20,5	14,0	17,5	12,0	22	C01470648
8	R1/8	28,0	23,0	8,0	18,5	14,0	14	C01470818
8	R1/4	31,0	23,0	10,0	18,5	14,0	14	C01470828
8	R3/8	32,0	23,0	11,0	18,5	14,0	17	C01470838
8	R1/2	35,0	23,0	14,0	18,5	14,0	22	C01470848
10	R1/8	28,5	23,5	8,0	19,5	16,5	17	C01471018
10	R1/4	31,5	23,5	10,0	19,5	16,5	17	C01471028
10	R3/8	32,5	23,5	11,0	19,5	16,5	17	C01471038
10	R1/2	35,5	23,5	14,0	19,5	16,5	22	C01471048
12	R1/8	32,5	27,5	8,0	22,0	19,0	19	C01471218
12	R1/4	34,5	27,5	10,0	22,0	19,0	19	C01471228
12	R3/8	35,5	27,5	11,0	22,0	19,0	19	C01471238
12	R1/2	38,5	27,5	14,0	22,0	19,0	22	C01471248
16	R3/8	43,0	32,5	11,0	24,0	25,0	24	C01471638
16	R1/2	46,0	32,5	14,0	24,0	25,0	24	C01471648

C0247

Cotovelo Macho Giratório BSSP

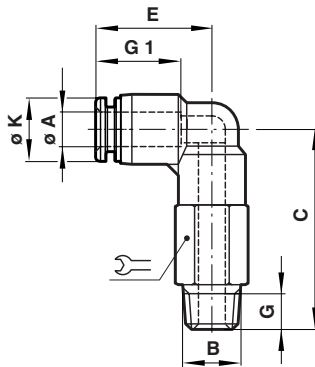
Ø A	B	C	E	G	G1	Ø K	⌀	Código
4	M5	22,0	18,5	4,5	17,0	9,5	10	C02470405
4	M6	22,0	18,5	4,5	17,0	9,5	10	C02470406
4	G1/8	22,5	18,5	6,0	17,0	9,5	14	C02470418
4	G1/4	24,5	18,5	8,0	17,0	9,5	17	C02470428
4	G3/8	24,5	18,5	8,0	17,0	9,5	20	C02470438
6	M5	24,0	20,5	4,5	17,0	12,0	12	C02470605
6	M6	24,0	20,5	4,5	17,5	12,0	12	C02470606
6	G1/8	24,5	20,5	6,0	17,5	12,0	14	C02470618
6	G1/4	26,5	20,5	8,0	17,5	12,0	17	C02470628
6	G3/8	26,5	20,5	9,0	17,5	12,0	20	C02470638
8	G1/8	26,0	23,0	8,0	18,5	14,0	14	C02470818
8	G1/4	28,0	23,0	8,0	18,5	14,0	21	C02470828
8	G3/8	28,0	23,0	9,0	18,5	14,0	20	C02470838
8	G1/2	29,0	23,0	10,0	18,5	14,0	24	C02470848
10	G1/8	26,5	23,5	6,0	19,5	16,5	17	C02471018
10	G1/4	28,5	23,5	8,0	19,5	16,5	17	C02471028
10	G3/8	28,5	23,5	9,0	19,5	16,5	20	C02471038
10	G1/2	29,5	23,5	10,0	19,5	16,5	24	C02471048
12	G1/4	32,5	27,5	8,0	22,0	19,0	19	C02471228
12	G3/8	32,5	27,5	9,0	22,0	19,0	20	C02471238
12	G1/2	32,5	27,5	10,0	22,0	19,0	24	C02471248
16	G3/8	41,0	32,5	9,0	24,0	25,0	24	C02471638
16	G1/2	42,0	32,5	10,0	24,0	25,0	24	C02471648

C0043

Adaptador Cotovelo

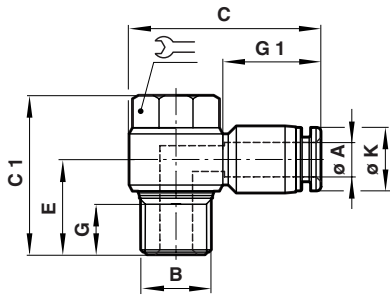
Ø A	Ø A1	C	E	G1	F	Ø K	Código
4	4	28,5	19,0	17,0	22,0	9,5	C00430400
6	6	31,5	20,5	17,5	24,0	12,0	C00430600
8	8	34,5	23,0	19,0	26,0	14,0	C00430800
10	10	38,0	24,0	19,5	28,0	16,5	C00431000
12	12	41,0	28,0	22,0	30,0	19,0	C00431200
16	16	48,5	32,0	24,0	35,0	25,0	C00431600

C0148/C0248

Cotovelo Fêmea Giratório

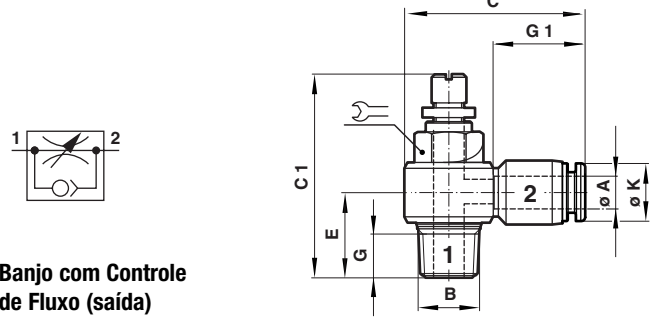
Ø A	B	C	E	G	G1	Ø K	≈	Código
4	M5	21,5	18,5	4,5	17,0	9,5	10	C02480405
4	M6	21,5	18,5	4,5	17,0	9,5	10	C02480406
4	R1/8	22,5	18,5	9,0	17,0	9,5	14	C01480418
4	R1/4	24,5	18,5	11,0	17,0	9,5	17	C01480428
6	M5	23,5	20,5	4,5	17,5	12,0	12	C02480605
6	M6	23,5	20,5	4,5	17,5	12,0	12	C02480606
6	R1/8	24,5	20,5	9,0	17,5	12,0	14	C01480618
6	R1/4	26,5	20,5	11,0	17,5	12,0	17	C01480628
6	R3/8	27,5	20,5	12,0	17,5	12,0	21	C01480638
8	R1/8	26,0	23,0	9,0	18,5	14,0	14	C01480818
8	R1/4	28,0	23,0	11,0	18,5	14,0	17	C01480828
8	R3/8	29,0	23,0	12,0	18,5	14,0	22	C01480838
10	R1/4	28,5	23,5	11,0	19,5	16,5	17	C01481028
10	R3/8	29,5	23,5	12,0	19,5	16,5	22	C01481038
10	R1/2	31,5	23,5	14,0	19,5	16,5	24	C01481048
12	R1/4	31,5	27,5	11,0	22,0	19,0	19	C01481228
12	R3/8	32,5	27,5	12,0	22,0	19,0	22	C01481248
12	R1/2	34,5	27,5	14,0	22,0	19,0	24	C01481248

C0154, C0254

**Cotovelo Macho Giratório
BSPT/ BSPP**

Ø A	B	C	E	G	G1	Ø K	≈	Código
4	M5	33,5	18,5	4,6	17,0	9,5	10	C02540405
4	M6	33,0	18,5	4,6	17,0	9,5	10	C02540406
4	R1/8	35,5	18,5	8,0	17,0	9,5	10	C01540418
4	R1/4	37,5	18,5	10,0	17,0	9,5	14	C01540428
4	R3/8	38,5	18,5	11,0	17,0	9,5	17	C01540438
6	M5	38,0	20,5	4,5	17,5	12,0	12	C02540605
6	M6	37,5	20,5	4,5	17,5	12,0	12	C01540606
6	R1/8	40,0	20,5	8,0	17,5	12,0	12	C01540618
6	R1/4	42,0	20,5	10,0	17,5	12,0	14	C01540628
6	R3/8	43,0	20,5	11,0	17,5	12,0	17	C01540638
6	R1/2	46,0	20,5	14,0	17,5	12,0	22	C01540648
8	R1/8	44,0	23,0	8,0	18,5	14,0	14	C01540818
8	R1/4	46,0	23,0	10,0	18,5	14,0	14	C01540828
8	R3/8	47,0	23,0	11,0	18,5	14,0	17	C01540838
8	R1/2	50,0	23,0	14,0	18,5	14,0	22	C01540848
10	R1/8	47,5	23,5	8,0	19,5	16,5	17	C01541018
10	R1/4	49,5	23,5	10,0	19,5	16,5	17	C01541028
10	R3/8	50,5	23,5	11,0	19,5	16,5	17	C01541038
10	R1/2	53,5	23,5	14,0	19,5	16,5	22	C01541048
12	R1/8	54,0	27,5	8,0	22,0	19,0	19	C01541218
12	R1/4	56,0	27,5	10,0	22,0	19,0	19	C01541228
12	R3/8	57,0	27,5	11,0	22,0	19,0	19	C01541238
12	R1/2	60,0	27,5	14,0	22,0	19,0	22	C01541248
16	R3/8	69,0	32,5	11,0	24,0	25,0	24	C01541638
16	R1/2	72,0	32,5	14,0	24,0	25,0	24	C01541648

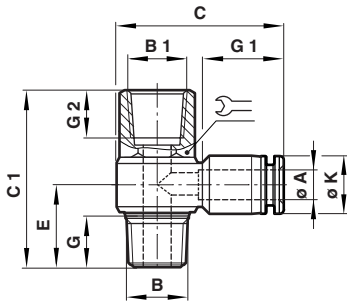
C0A51

Banjo

Ø A	B	C	C1	E	G	G1	Ø K	⌀	Código
4	M5	25,0	18,0	10,0	3,5	16,5	9,5	8	COA510405
4	G1/8	30,5	25,0	14,5	11,0	16,5	9,5	8	COA510418
4	G1/4	34,5	29,0	16,5	10,0	16,5	9,5	15	COA510428
6	M5	18,0	28,0	11,0	3,5	17,5	12,0	8	COA510605
6	G1/8	31,0	25,0	14,5	8,0	17,5	12,0	11	COA510618
6	G1/4	35,0	29,0	16,5	10,0	17,5	12,0	15	COA510628
6	G3/8	38,5	32,5	20,5	11,0	17,5	12,0	19	COA510638
8	G1/8	33,0	25,0	13,5	8,0	18,5	14,0	11	COA510818
8	G1/4	37,0	29,0	16,0	10,0	18,5	14,0	15	COA510828
8	G3/8	40,0	32,5	20,5	11,0	18,5	14,0	19	COA510838
8	G1/2	46,0	39,5	23,0	14,0	18,5	14,0	24	COA510848
10	G1/4	39,0	29,0	15,5	10,0	19,5	16,5	15	COA511028
10	G3/8	42,0	32,5	19,5	11,0	19,5	16,5	19	COA511038
10	G1/2	47,5	39,5	23,0	14,0	19,5	16,5	24	COA511048
12	G3/8	46,0	32,5	18,5	11,0	22,0	19,0	19	COA511238
12	G1/2	50,0	39,5	21,5	14,0	22,0	19,0	24	COA511248

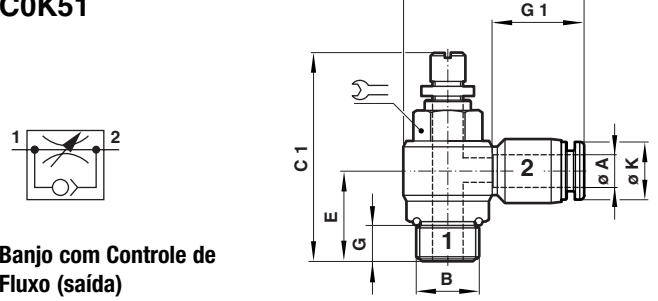
C0TA0

Banjo com Controle de Fluxo (saída)

Ø A	B	C	C1	E	G	G1	Ø K	⌀	Código	
			min.	max.						
4	R1/8	30,5	35,0	40,0	14,5	8,0	16,5	9,5	11	C0TA00418
4	R1/4	34,5	40,0	45,5	18,0	10,0	16,5	9,5	15	C0TA00428
6	R1/8	31,0	35,0	31,0	14,5	8,0	17,5	12,0	11	C0TA00618
6	R1/4	35,0	40,0	45,5	18,0	10,0	17,5	12,0	15	C0TA00628
6	R3/8	38,5	46,5	55,0	21,0	11,0	17,5	12,0	19	C0TA00638
8	R1/8	33,0	35,0	40,0	15,5	8,0	18,5	14,0	11	C0TA00818
8	R1/4	37,0	40,0	45,5	19,0	10,0	18,5	14,0	15	C0TA00828
8	R3/8	40,0	46,5	55,0	21,0	11,0	18,5	14,0	19	C0TA00838
8	R1/2	46,0	53,0	60,0	25,0	14,0	18,5	14,0	24	C0TA00848
10	R1/4	39,0	40,0	45,5	20,0	10,0	19,5	16,5	15	C0TA01028
10	R3/8	42,0	46,5	55,0	22,5	11,0	19,5	16,5	19	C0TA01038
10	R1/2	47,5	53,0	60,0	25,0	14,0	19,5	16,5	24	C0TA01048
12	R1/4	41,0	40,0	45,5	22,0	10,0	22,0	19,0	15	C0TA01228
12	R3/8	46,0	46,5	55,0	23,0	11,0	22,0	19,0	19	C0TA01238
12	R1/2	50,0	53,0	60,0	27,0	14,0	22,0	19,0	24	C0TA01248

Veja fluxo para os banjos na pág. 4

C0D51

Banjo Fêmea

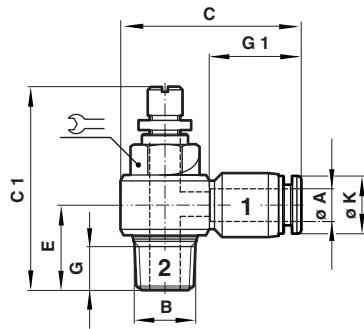
Ø A	B	B1	C	C1	G	G1	G2	Ø K	⌀	Código
4	M5	M5	25,0	20,0	3,5	16,5	6,0	9,5	8	C0D510405
4	R1/8	Rc1/8	30,5	30,0	9,0	16,5	8,0	9,5	17	C0D510418
4	R1/4	Rc1/4	34,5	35,5	11,0	16,5	10,0	9,5	17	C0D510428
6	M5	M5	28,0	20,0	3,5	17,5	6,0	12,0	8	COE510605
6	R1/8	Rc1/8	31,0	30,0	9,0	17,5	8,0	12,0	14	COE510618
6	R1/4	Rc1/4	35,0	35,5	11,0	17,5	10,0	12,0	17	COE510628
6	R3/8	Rc3/8	38,5	41,0	12,0	17,5	11,0	12,0	21	COE510638
8	R1/8	Rc1/8	33,0	30,0	9,0	18,5	8,0	14,0	14	COF510818
8	R1/4	Rc1/4	38,0	35,5	11,0	18,5	10,0	14,0	17	COF510828
8	R3/8	Rc3/8	40,0	41,0	12,0	18,5	11,0	14,0	21	COF510838
10	R1/4	Rc1/4	39,0	35,5	11,0	19,5	10,0	16,5	17	COG511028
10	R3/8	Rc3/8	42,0	41,0	12,0	19,5	11,0	16,5	21	COG511038
12	R3/8	Rc3/8	46,0	41,0	12,0	22,0	11,0	19,0	21	COH511238

C0K51

Banjo com Controle de Fluxo (saída)

Ø A	B	C	C1	E	G	G1	Ø K	⌀	Código	
			min.	max.						
3	M5	21,5	27,0	30,0	9,5	3,5	11,0	7,5	8	C0K510305
4	M5	25,0	27,0	30,0	10,0	3,5	16,5	9,5	15	C0K510405
4	G1/8	30,5	35,0	40,0	15,0	6,0	16,5	9,5	8	C0K510418
4	G1/4	34,5	40,0	45,5	17,0	8,0	16,5	9,5	12	C0K510428
6	M5	28,0	27,0	30,0	11,0	3,5	17,5	12,0	8	COK510605
6	G1/8	31,0	35,0	40,0	15,0	6,0	17,5	12,0	8	COK510618
6	G1/4	35,0	40,0	45,5	17,0	8,0	17,5	12,0	12	COK510628
6	G3/8	38,5	46,5	55,0	21,0	8,0	17,5	12,0	14	COK510638
8	G1/8	33,0	35,0	40,0	14,0	6,0	18,5	14,0	8	COK510818
8	G1/4	37,0	40,0	45,5	16,0	8,0	18,5	14,0	12	COK510828
8	G3/8	40,0	46,5	55,0	21,0	8,0	18,5	14,0	14	COK510838
8	G1/2	46,0	53,0	60,0	22,5	9,0	18,5	14,0	19	COK510848
10	G1/4	39,0	40,0	45,5	18,0	8,0	19,5	16,5	12	COK511028
10	G3/8	42,0	46,5	55,0	19,5	8,0	19,5	16,5	14	COK511038
10	G1/2	47,5	53,0	60,0	22,5	9,0	19,5	16,5	19	COK511048
12	G1/4	41,0	40,0	45,5	20,0	8,0	22,0	19,0	12	COK511228
12	G3/8	46,0	46,5	55,0	19,0	8,0	22,0	19,0	14	COK511238
12	G1/2	50,0	53,0	60,0	21,0	9,0	22,0	19,0	19	COK511248

Veja fluxo para os banjos na pág. 4

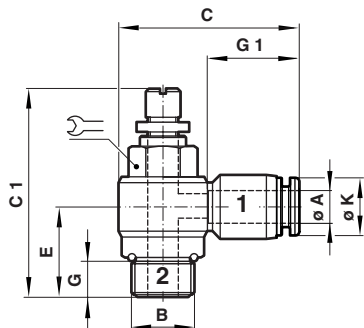
COSA0

Banjo com Controle de Fluxo (entrada)


Ø A	B	C	C1		E	G	Ø K	⌀	Código
			min.	max.					
4	R1/8	30,5	35,0	40,0	14,5	8,0	9,5	11	COSA00418
4	R1/4	34,5	40,0	45,5	18,0	10,0	9,5	15	COSA00428
6	R1/8	31,0	35,0	40,0	14,5	8,0	12,0	11	COSA00618
6	R1/4	35,0	40,0	45,5	18,0	10,0	12,0	15	COSA00628
6	R3/8	39,0	46,5	55,0	21,0	11,0	12,0	19	COSA00638
8	R1/8	33,0	35,0	40,0	15,5	8,0	14,0	11	COSA00818
8	R1/4	37,0	40,0	45,5	19,0	10,0	14,0	15	COSA00828
8	R3/8	40,0	46,5	55,0	21,0	11,0	14,0	19	COSA00838
8	R1/2	46,0	53,0	60,0	25,0	14,0	14,0	24	COSA00848
10	R1/4	39,0	40,0	45,5	20,0	10,0	16,5	15	COSA01028
10	R3/8	42,0	46,5	55,0	22,5	11,0	16,5	19	COSA01038
10	R1/2	47,5	53,0	60,0	25,0	14,0	16,5	24	COSA01048
12	R1/4	41,0	40,0	45,5	22,0	10,0	19,0	15	COSA01228
12	R3/8	46,0	46,5	55,0	23,0	11,0	19,0	19	COSA01238
12	R1/2	50,0	53,0	60,0	27,0	14,0	19,0	24	COSA01248

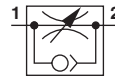
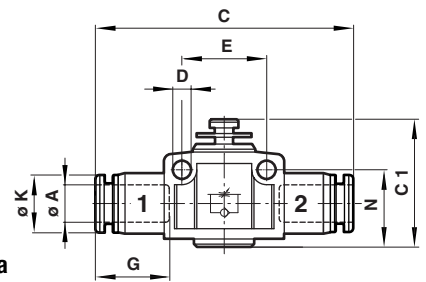
Veja fluxo para os banjos na pág. 4

COL51

Banjo com Controle de Fluxo (entrada)


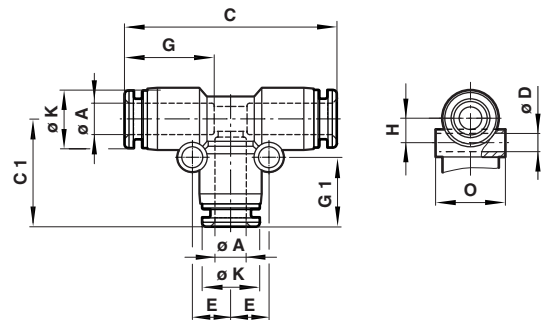
Ø A	B	C	C1		E	G	G1	Ø K	⌀	Código
			min.	max.						
3	M5	21,5	27,0	30,0	9,5	3,5	11,0	7,5	8	COL510305
4	M5	25,0	27,0	30,0	10,0	3,5	16,0	9,5	15	COL510405
4	G1/8	30,5	35,0	40,0	15,0	6,0	16,0	9,5	8	COL510418
4	G1/4	34,5	40,0	45,5	17,0	8,0	16,0	9,5	12	COL510428
6	M5	28,0	27,0	30,0	11,0	3,5	17,5	12,0	8	COL510605
6	G1/8	31,0	35,0	40,0	15,0	6,0	17,5	12,0	8	COL510618
6	G1/4	35,0	40,0	45,5	17,0	8,0	17,5	12,0	12	COL510628
6	G3/8	39,0	46,5	55,0	21,0	8,0	17,5	12,0	14	COL510638
8	G1/8	33,0	35,0	40,0	14,0	6,0	18,5	14,0	8	COL510818
8	G1/4	37,0	40,0	45,5	16,0	8,0	18,5	14,0	12	COL510828
8	G3/8	40,0	46,5	55,0	21,0	8,0	18,5	14,0	14	COL510838
8	G1/2	46,0	53,0	60,0	22,5	9,0	18,5	14,0	19	COL510848
10	G1/4	39,0	40,0	45,5	18,0	8,0	19,5	16,5	12	COL511028
10	G3/8	42,0	46,5	55,0	19,5	8,0	19,5	16,5	14	COL511038
10	G1/2	47,5	53,0	60,0	22,5	9,0	19,5	16,5	19	COL511048
12	G1/4	41,0	40,0	45,5	20,0	8,0	22,0	19,0	12	COL511228
12	G3/8	46,0	46,5	55,0	19,0	8,0	22,0	19,0	14	COL511238
12	G1/2	50,0	53,0	60,0	21,0	9,0	22,0	19,0	19	COL511248

Veja fluxo para os banjos na pág. 4

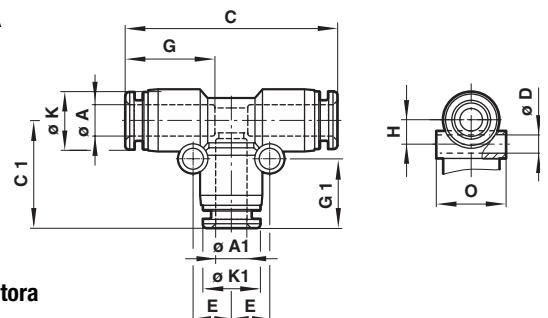
C00GE

Válvula Controladora de Fluxo


Ø A	C	C1		D	E	G	Ø K	N	Código
		min.	max.						
4	45,0	30,0	33,0	3,3	15,0	16,5	9,5	13,5	C00GE0400
6	50,0	35,0	39,5	4,4	20,5	17,5	12,0	17,5	C00GE0600
8	55,5	37,5	42,0	4,4	23,0	18,5	14,0	20,0	C00GE0800
10	61,0	44,0	49,0	4,4	28,0	19,5	16,5	23,0	C00GE1000
12	70,0	47,5	53,5	4,4	32,0	22,0	19,0	25,5	C00GE1200

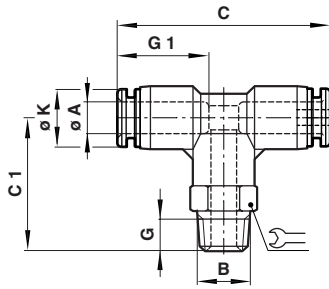
Veja fluxo para os banjos na pág. 4

C0060

União 'T'

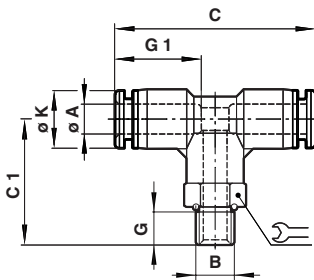
Ø A	C	C1	Ø D	E	G	H	Ø K	O	Código
4	36,5	19,0	3,3	6,5	16,5	8,5	9,5	10,5	C00600400
6	42,0	21,5	3,3	7,5	17,5	7,5	12,0	12,5	C00600600
8	45,0	23,5	4,3	9,0	18,5	9,0	14,0	14,5	C00600800
10	48,0	25,5	4,3	10,0	20,0	11,0	16,5	17,5	C00601000
12	57,0	29,5	4,3	13,0	22,0	12,5	19,0	20,5	C00601200
16	68,0	34,5	4,3	16,0	24,0	16,0	25,0	25,5	C00601600

C006A

União 'T' Redutora

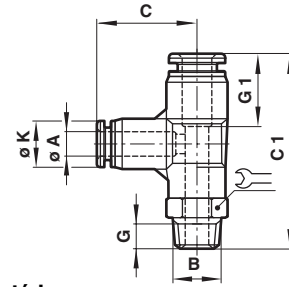
Ø A	Ø A1	C	C1	Ø D	E	G	G1	H	Ø K	Ø K1	O	Código
6	4	41,5	19,0	3,3	7,0	17,5	17,0	8,0	12,0	9,5	12,5	C006A0604
8	6	45,0	22,0	4,3	8,5	18,5	17,5	9,5	14,0	12,0	15,0	C006A0806
10	6	49,0	23,0	4,3	8,5	19,5	17,5	11,0	16,5	12,0	17,5	C006A1006
10	8	49,0	25,0	4,3	9,5	19,5	18,5	11,0	16,5	14,0	17,5	C006A1008
12	8	56,0	25,5	4,3	9,5	22,0	18,5	12,5	19,0	14,0	20,5	C006A1208
12	10	56,0	27,5	4,3	11,0	22,0	19,5	12,5	19,0	16,5	20,5	C006A1210
16	10	61,0	30,5	4,3	11,5	24,0	19,5	16,0	25,0	16,5	25,5	C006A1610
16	12	63,5	33,0	4,3	13,0	24,0	22,0	16,0	25,0	19,0	25,5	C006A1612

C0167

'T' Macho Central Giratório

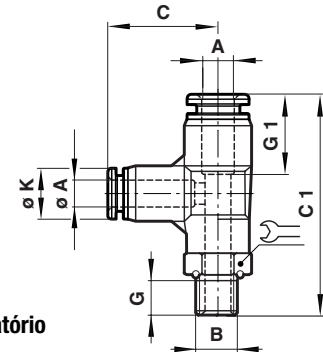
Ø A	B	C	C1	G	G1	Ø K	≅	Código
4	R1/8	37,5	24,5	8,0	17,0	9,5	10	C01670418
4	R1/4	37,5	26,5	10,0	17,0	9,5	14	C01670428
4	R3/8	37,5	27,5	11,0	17,0	9,5	17	C01670438
6	R1/8	41,0	26,5	8,0	17,5	12,0	12	C01670618
6	R1/4	41,0	29,5	10,0	17,5	12,0	14	C01670628
6	R3/8	41,0	30,5	11,0	17,5	12,0	17	C01670638
6	R1/2	41,0	33,5	14,0	17,5	12,0	22	C01670648
8	R1/8	44,0	28,0	8,0	18,5	14,0	14	C01670818
8	R1/4	44,0	31,0	10,0	18,5	14,0	14	C01670828
8	R3/8	44,0	32,0	11,0	18,5	14,0	17	C01670838
8	R1/2	44,0	35,0	14,0	18,5	14,0	22	C01670848
10	R1/8	47,0	28,5	8,0	19,5	16,5	17	C01671018
10	R1/4	47,0	32,0	10,0	19,5	16,5	17	C01671028
10	R3/8	47,0	32,5	11,0	19,5	16,5	17	C01671038
10	R1/2	47,0	35,5	14,0	19,5	16,5	22	C01671048
12	R1/8	55,0	32,5	8,0	22,0	19,0	19	C01671218
12	R1/4	55,0	34,5	10,0	22,0	19,0	19	C01671228
12	R3/8	55,0	35,5	11,0	22,0	19,0	19	C01671238
12	R1/2	55,0	38,5	14,0	22,0	19,0	22	C01671248
16	R3/8	64,5	43,0	11,0	24,0	25,0	24	C01671638
16	R1/2	64,5	46,0	14,0	24,0	25,0	24	C01671648

C0267

'T' Macho Central Giratório BSPP

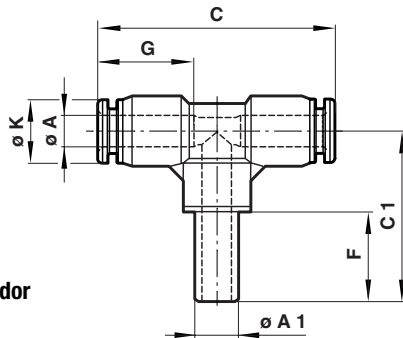
Ø A	B	C	C1	G	G1	Ø K	≅	Código
4	M5	37,5	22,0	4,5	17,0	9,5	10	C02670405
4	M6	37,5	22,0	4,5	17,0	9,5	10	C02670406
4	G1/8	37,5	22,0	6,0	17,0	9,5	14	C02670418
4	G1/4	37,5	24,0	8,0	17,0	9,5	17	C02670428
4	G3/8	37,5	24,0	8,0	17,0	9,5	20	C02670438
6	M5	41,0	24,0	4,5	17,5	12,0	12	C02670605
6	M6	41,0	24,0	4,5	17,5	12,0	12	C02670606
6	G1/8	41,0	24,5	6,0	17,5	12,0	14	C02670618
6	G1/4	41,0	26,5	8,0	17,5	12,0	17	C02670628
6	G3/8	41,0	27,5	9,0	17,5	12,0	20	C02670638
6	G1/2	41,0	28,5	9,0	17,5	12,0	24	C02670648
8	G1/8	44,5	26,0	6,0	18,5	14,0	14	C02670818
8	G1/4	44,5	28,0	8,0	18,5	14,0	17	C02670828
8	G3/8	44,5	29,0	9,0	18,5	14,0	20	C02670838
8	G1/2	44,5	30,0	10,0	18,5	14,0	24	C02670848
10	G1/8	47,0	26,5	6,0	19,5	16,5	17	C02671018
10	G1/4	47,0	28,5	8,0	19,5	16,5	17	C02671028
10	G3/8	47,0	29,5	9,0	19,5	16,5	20	C02671038
10	G1/2	47,0	30,5	10,0	19,5	16,5	24	C02671048
12	G1/4	55,0	31,5	8,0	22,0	19,0	19	C02671228
12	G3/8	55,0	32,5	9,0	22,0	19,0	20	C02671238
12	G1/2	55,0	33,5	10,0	22,0	19,0	24	C02671248
16	G3/8	64,5	40,0	9,0	24,0	25,0	24	C02671638
16	G1/2	64,5	41,0	10,0	24,0	25,0	24	C02671648

C0168

'T' Macho Lateral Giratório BSPT

Ø A	B	C	C1	G	G1	Ø K	≅	Código
4	R1/8	20,0	45,0	8,0	17,0	9,5	10	C01680418
4	R1/4	20,0	48,0	10,0	17,0	9,5	14	C01680428
4	R3/8	20,0	49,0	11,0	17,0	9,5	17	C01680438
6	R1/8	21,5	48,5	8,0	17,5	12,0	12	C01680618
6	R1/4	21,5	51,0	10,0	17,5	12,0	14	C01680628
6	R3/8	21,5	52,0	11,0	17,5	12,0	17	C01680638
6	R1/2	21,5	55,0	14,0	17,5	12,0	22	C01680648
8	R1/8	23,5	52,0	8,0	18,5	14,0	14	C01680818
8	R1/4	23,5	55,0	10,0	18,5	14,0	14	C01680828
8	R3/8	23,5	56,0	11,0	18,5	14,0	17	C01680838
8	R1/2	23,5	59,0	14,0	18,5	14,0	22	C01680848
10	R1/8	25,5	55,5	8,0	19,5	16,5	17	C01681018
10	R1/4	25,5	58,5	10,0	19,5	16,5	17	C01681028
10	R3/8	25,5	59,5	11,0	19,5	16,5	17	C01681038
10	R1/2	25,5	62,5	14,0	19,5	16,5	22	C01681048
12	R1/8	30,0	63,0	8,0	22,0	19,0	19	C01681218
12	R1/4	30,0	65,0	10,0	22,0	19,0	19	C01681228
12	R3/8	30,0	66,0	11,0	22,0	19,0	19	C01681238
12	R1/2	30,0	69,0	14,0	22,0	19,0	22	C01681248

C0268

'T' Macho Lateral Giratório BSPP

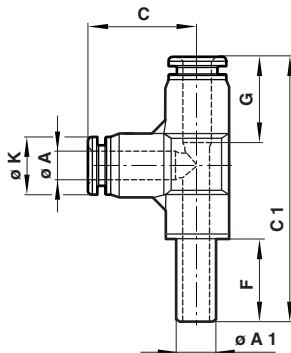
Ø A	B	C	C1	G	G1	Ø K	≅	Código
4	M5	20,0	42,0	4,5	17,0	9,5	10	C02680405
4	M6	20,0	42,0	4,5	17,0	9,5	10	C02680406
4	G1/8	20,0	43,0	6,0	17,0	9,5	14	C02680418
4	G1/4	20,0	45,0	8,0	17,0	9,5	17	C02680428
4	G3/8	20,0	45,0	8,0	17,0	9,5	20	C02680438
6	M5	21,5	46,0	4,5	17,5	12,0	12	C02680605
6	M6	21,5	46,0	4,5	17,5	12,0	12	C02680606
6	G1/8	21,5	47,0	6,0	17,5	12,0	14	C02680618
6	G1/4	21,5	49,0	8,0	17,5	12,0	17	C02680628
6	G3/8	21,5	50,0	9,0	17,5	12,0	20	C02680638
8	G1/8	23,5	50,0	6,0	18,5	14,0	14	C02680818
8	G1/4	23,5	52,0	8,0	18,5	14,0	17	C02680828
8	G3/8	23,5	56,0	9,0	18,5	14,0	20	C02680838
8	G1/2	23,5	54,0	10,0	18,5	14,0	24	C02680848
10	G1/8	25,5	54,0	6,0	19,5	16,5	17	C02681018
10	G1/4	25,5	56,0	8,0	19,5	16,5	17	C02681028
10	G3/8	25,5	57,0	9,0	19,5	16,5	20	C02681038
10	G1/2	25,5	58,0	10,0	19,5	16,5	24	C02681048
12	G1/4	30,0	62,0	8,0	22,0	19,0	19	C02681228
12	G3/8	30,0	63,0	9,0	22,0	19,0	20	C02681238
12	G1/2	30,0	64,0	10,0	22,0	19,0	24	C02681248

C0063

“T” Adaptador Central

Ø A	Ø A1	C	C1	F	G	Ø K	Código
4	4	37,5	32,5	24,0	16,5	9,5	C00630400
6	6	41,0	34,5	25,0	18,0	12,0	C00630600
8	8	44,5	36,0	26,0	16,5	14,0	C00630800
10	10	47,0	37,5	28,0	19,5	16,5	C00631000
12	12	55,0	39,0	30,0	22,0	19,0	C00631200

(Unequal)

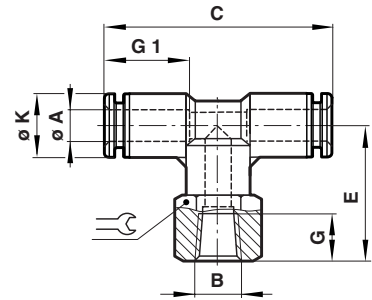
Ø A	Ø A1	C	C1	F	G	Ø K	Código
4	6	37,5	33,5	25,0	17,0	9,5	C00630604
6	8	41,0	35,5	28,0	17,5	12,0	C00630806
8	10	44,5	38,5	28,0	18,5	14,0	C00631008
10	12	47,0	39,5	30,0	19,5	16,5	C00631210

C0064

“T” Adaptador Lateral

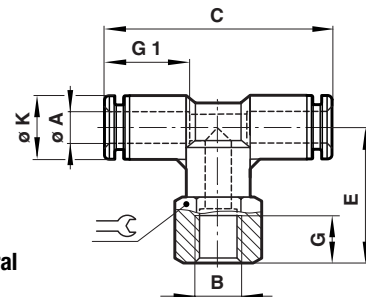
Ø A	Ø A1	C	C1	F	G	Ø K	Código
4	4	20,5	58,0	17,0	24,0	9,5	C00640400
6	6	21,5	52,5	17,5	25,0	12,0	C00640600
8	8	23,5	67,0	18,5	26,0	14,0	C00640800
10	10	25,5	73,0	19,5	28,0	16,5	C00641000
12	12	30,0	82,0	22,0	30,0	19,5	C00641200

(Unequal)

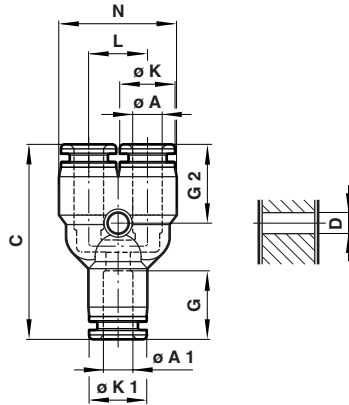
Ø A	Ø A1	C	C1	F	G	Ø K	Código
4	6	20,0	59,0	17,0	25,0	9,5	C00640604
6	8	21,5	63,5	17,5	26,0	12,0	C00640806
8	10	23,5	69,5	18,5	28,0	14,0	C00641008
10	12	25,5	75,0	19,5	30,0	16,5	C00641210

C016C

“T” Fêmea Central Giratório

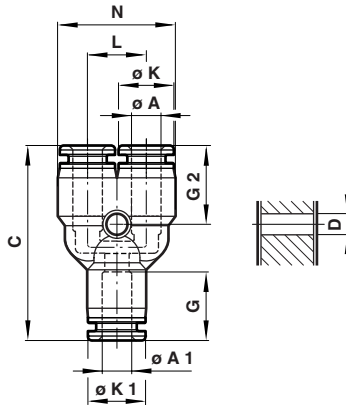
Ø A	B	C	C1	G	G1	Ø K	⌀	Código
4	Rc1/8	38,0	17,5	9,0	17,0	9,5	14	C016C0418
4	Rc1/4	38,0	19,5	11,0	17,0	9,5	17	C016C0428
6	Rc1/8	41,0	18,5	9,0	17,5	12,0	14	C016C0618
6	Rc1/4	41,0	20,5	11,0	17,5	12,0	17	C016C0628
6	Rc3/8	41,0	21,5	12,0	17,5	12,0	21	C016C0638
8	Rc1/8	44,5	21,0	9,0	18,5	14,0	14	C016C0818
8	Rc1/4	44,5	21,0	11,0	18,5	14,0	17	C016C0828
8	Rc3/8	44,5	22,0	12,0	18,5	14,0	22	C016C0838
8	Rc1/2	44,5	24,0	14,0	18,5	14,0	24	C016C0848
10	Rc1/4	47,0	20,0	11,0	19,5	16,5	17	C016C1028
10	Rc3/8	47,0	21,0	12,0	19,5	16,5	22	C016C1038
10	Rc1/2	47,0	23,0	14,0	19,5	16,5	24	C016C1048
12	Rc1/4	55,0	21,0	11,0	22,0	19,0	19	C016C1228
12	Rc3/8	55,0	22,0	12,0	22,0	19,0	22	C016C1238
12	Rc1/2	55,0	24,0	14,0	22,0	19,0	24	C016C1248

C026C

“T” Fêmea Central Giratório

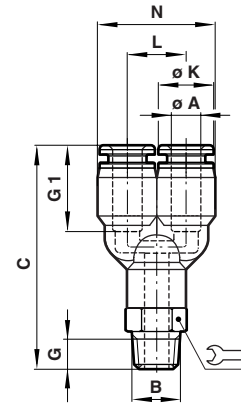
Ø A	B	C	C1	G	G1	Ø K	⌀	Código
4	M5	37,5	16,5	8,0	17,0	9,5	10	C026C0405
4	M6	37,5	16,5	8,0	17,0	9,5	10	C026C0406
6	M5	41,0	17,5	8,0	17,5	12,0	12	C026C0605
6	M6	41,0	17,5	8,0	17,5	12,0	12	C026C0606

C0082

União Y

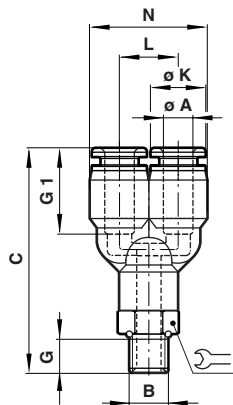
Ø A	C	D	G	G2	Ø K	L	N	Código
4	37,0	3,3	17,0	15	9,5	10,5	21	C00820400
6	40,0	3,3	17,5	16	12,0	12,5	25	C00820600
8	43,0	4,3	18,5	17	14,0	14,5	29	C00820800
10	47,5	4,3	19,5	18,5	16,5	17,5	35	C00821000
12	53,0	4,3	22,0	21,5	19,0	20,5	41	C00821200

C0082

União Y

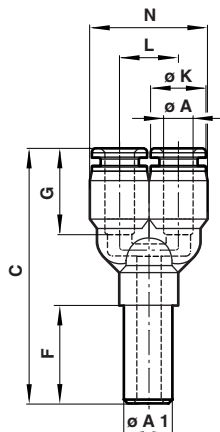
Ø A	Ø A1	C	D	G	G2	Ø K	Ø K1	L	N	Código
4	6	38,0	3,3	17,5	15,0	10,5	12,5	10,5	21	C00820604
6	8	41,0	4,3	18,5	16,0	12,5	14,5	12,5	25	C00820806
8	10	43,0	4,3	19,5	17,0	14,5	17,5	14,5	29	C00821008
10	12	46,5	4,3	22,0	18,5	17,5	20,5	17,5	35	C00821210

C0188

'Y' Macho Giratório

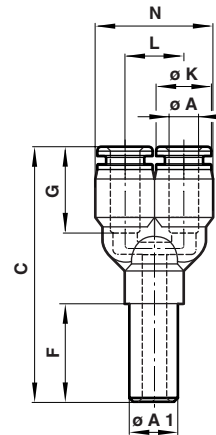
Ø A	B	C	G	G1	Ø K	L	N	≈	Código
4	R1/8	41,5	8,0	17,0	9,5	10,5	21,0	10	C01880418
4	R1/4	42,5	10,0	17,0	9,5	10,5	21,0	14	C01880428
4	R3/8	43,5	11,0	17,0	9,5	10,5	21,0	17	C01880438
6	R1/8	44,0	8,0	17,5	12,0	12,5	25,0	12	C01880618
6	R1/4	47,0	10,0	17,5	12,0	12,5	25,0	14	C01880628
6	R3/8	48,0	11,0	17,5	12,0	12,5	25,0	17	C01880638
6	R1/2	51,0	14,0	17,5	12,0	12,5	25,0	22	C01880648
8	R1/8	45,5	8,0	18,5	14,0	14,5	29,0	14	C01880818
8	R1/4	48,5	10,0	18,5	14,0	14,5	29,0	14	C01880828
8	R3/8	48,5	11,0	18,5	14,0	14,5	29,0	17	C01880838
8	R1/2	52,5	14,0	18,5	14,0	14,5	29,0	22	C01880848
10	R1/8	49,0	8,0	19,5	16,5	17,5	35,0	17	C01881018
10	R1/4	52,0	10,0	19,5	16,5	17,5	35,0	17	C01881028
10	R3/8	53,0	11,0	19,5	16,5	17,5	35,0	17	C01881038
10	R1/2	56,2	14,0	19,5	16,5	17,5	35,0	22	C01881048
12	R1/8	52,5	3,0	22,0	19,0	20,5	41,0	19	C01881218
12	R1/4	54,5	8,0	22,0	19,0	20,5	41,0	19	C01881228
12	R3/8	55,5	11,0	22,0	19,0	20,5	41,0	19	C01881238
12	R1/2	58,5	14,0	22,0	19,0	20,5	41,0	22	C01881248

C0288

Y Macho Central Giratório

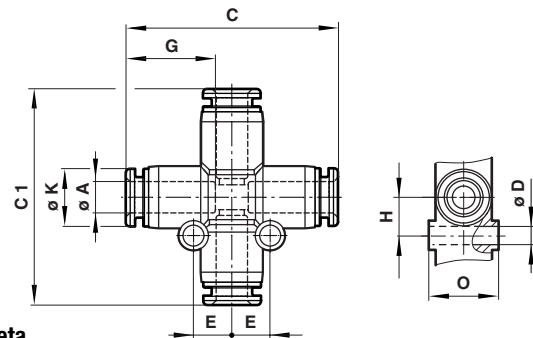
Ø A	B	C	G	G1	Ø K	L	N	⌀	Código
4	M5	35,0	4,5	17,0	9,5	10,5	21,0	10	C02880405
4	M6	35,0	4,5	17,0	9,5	10,5	21,0	10	C02880406
4	G1/8	41,0	6,0	17,0	9,5	10,5	21,0	14	C02880418
4	G1/4	43,0	8,0	17,0	9,5	10,5	21,0	17	C02880428
4	G3/8	43,0	8,0	17,0	9,5	10,5	21,0	20	C02880438
6	M5	41,5	4,5	17,5	12,0	12,5	25,0	12	C02880605
6	M6	41,5	4,5	17,5	12,0	12,5	25,0	12	C02880606
6	G1/8	42,5	6,0	17,5	12,0	12,5	25,0	14	C02880618
6	G1/4	44,5	8,0	17,5	12,0	12,5	25,0	17	C02880628
6	G3/8	45,5	9,0	17,5	12,0	12,5	25,0	20	C02880638
8	G1/8	43,5	6,0	18,5	14,0	14,5	29,0	14	C02880818
8	G1/4	45,5	8,0	18,5	14,0	14,5	29,0	17	C02880828
8	G3/8	46,5	9,0	18,5	14,0	14,5	29,0	20	C02880838
8	G1/2	47,5	10,0	18,5	14,0	14,5	29,0	24	C02880848
10	G1/8	49,5	6,0	19,5	16,5	17,5	35,0	17	C02881018
10	G1/4	51,5	8,0	19,5	16,5	17,5	35,0	17	C02881028
10	G3/8	52,5	9,0	19,5	16,5	17,5	35,0	20	C02881038
10	G1/2	53,5	10,0	19,5	16,5	17,5	35,0	24	C02881048
12	G1/4	55,0	8,0	22,0	19,0	20,5	41,0	19	C02881228
12	G3/8	56,0	9,0	22,0	19,0	20,5	41,0	20	C02881238
12	G1/2	57,0	10,0	22,0	19,0	20,5	41,0	22	C02881248

C0084

Adaptador Y

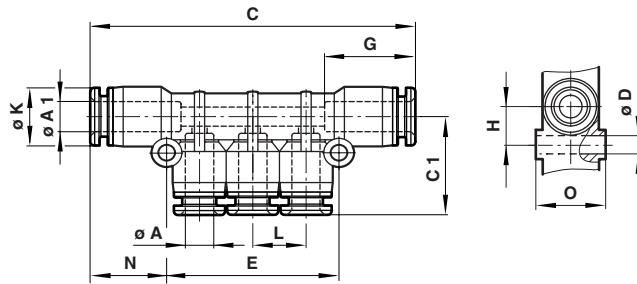
Ø A	Ø A1	C	F	G	Ø K	L	N	Código
4	4	49,5	22,0	17,0	9,5	10,5	21,0	C00840400
6	6	54,5	24,0	17,5	12,0	12,5	25,0	C00840600
8	8	60,0	26,0	18,5	14,0	14,5	29,0	C00840800
10	10	66,0	28,0	20,0	16,5	17,5	35,0	C00841000
12	12	71,5	30,0	22,0	19,0	20,5	41,0	C00841200

C0084

Adaptador Y

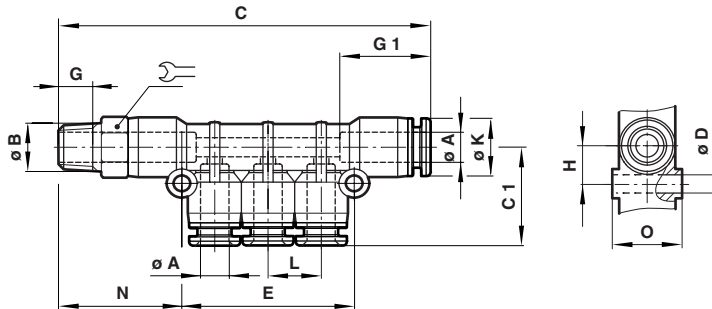
Ø A	Ø A1	C	F	G	Ø K	L	N	Código
4	6	51,5	24,0	17,5	9,5	10,5	21,0	C00840604
6	8	56,5	26,0	18,5	12,0	12,5	25,0	C00840806
8	10	62,0	28,0	20,0	14,0	14,5	29,0	C00841008
10	12	68,0	30,0	22,0	16,5	17,5	35,0	C00841210

C0090

Cruzeta

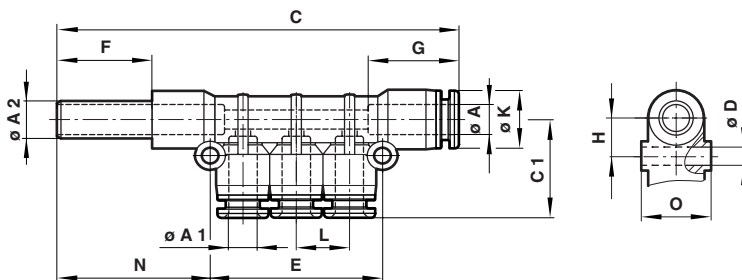
Ø A	C	C1	Ø D	E	G	H	Ø K	Código
4	36,5	38,0	3,3	6,5	17,0	6,5	9,5	C00900400
6	42,0	42,5	4,3	7,5	17,5	7,5	12,0	C00900600
8	45,0	47,0	4,3	9,0	18,5	9,0	14,0	C00900800
10	48,0	50,5	4,3	10,0	19,5	10,0	16,5	C00901000
12	55,0	57,0	4,3	12,0	22,0	12,0	19,0	C00901200

C00D3

Distribuidor União

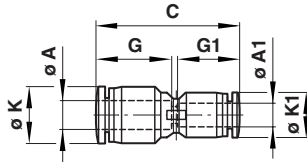
$\varnothing A$	$\varnothing A1$	C	C1	D	E	G	H	$\varnothing K$	L	N	O	Código
4	6	63,5	18,0	3,3	34,0	17,5	7,5	9,5	10,5	14,5	12,5	C00D30604
4	8	65,5	21,5	4,3	35,0	18,5	9,0	9,5	10,5	15,5	14,5	C00D30804
6	8	71,5	22,5	4,3	41,0	18,5	9,5	12,0	12,5	15,0	14,5	C00D30806
6	10	78,0	23,5	4,3	42,0	19,5	9,5	12,0	12,5	18,5	17,5	C00D31006
8	10	83,5	26,0	4,3	47,0	19,5	9,5	14,0	14,5	18,5	17,5	C00D31008

C01D3

Distribuidor Macho BSPT

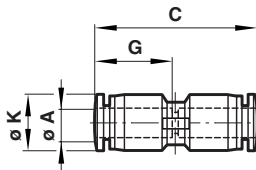
$\varnothing A$	$\varnothing A1$	B	C	C1	$\varnothing D$	E	G	G1	H	$\varnothing K$	L	N	O	\approx	Código
4	6	R1/8	72,0	24,0	3,3	34,0	8,0	17,5	7,5	9,5	10,5	23,5	12,5	12	C01D30418
4	8	R1/8	74,0	28,5	4,3	35,0	8,0	18,5	9,0	9,5	10,5	23,5	14,5	14	C01D30428
6	8	R1/4	82,5	34,0	4,3	41,0	10,0	18,5	9,5	12,0	12,5	26,5	14,5	14	C01D30628
8	10	R3/8	95,0	34,5	4,3	47,0	10,0	19,5	9,5	12,0	14,5	30,0	17,5	17	C01D30838

C00J3

Distribuidor Adaptador

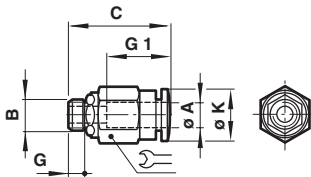
$\varnothing A$	$\varnothing A1$	$\varnothing A2$	C	C1	$\varnothing D$	E	F	G	H	$\varnothing K$	L	N	O	Código
6	4	6	84,5	24,0	3,3	34,0	25,0	17,5	7,5	12,0	10,5	35,5	12,5	C00J30604
8	4	8	89,5	28,5	4,3	35,0	28,5	18,5	9,0	14,0	10,5	39,5	14,5	C00J30804
8	6	8	95,5	34,0	4,3	41,0	28,5	18,5	9,5	14,0	12,5	39,5	14,5	C00J30806
10	8	10	109,5	34,5	4,3	47,0	31,0	19,5	9,5	16,5	14,5	44,5	17,5	C00J31008

M0020

União Retra Redutora

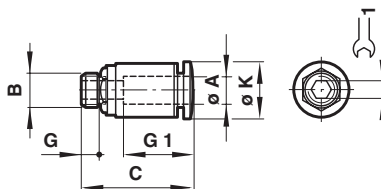
Ø A	Ø A1	C	G	G1	Ø K	Ø K1	Código
4	3	24,0	11,5	11,0	8,5	7,5	M00200406
6	3	24,0	13,0	11,0	10,5	7,5	M00200603
6	4	26,5	13,0	11,5	10,5	8,5	M00200604

M0020

União Retra Redutora

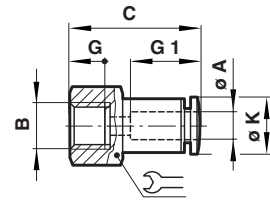
Ø A	C	G	Ø K	Código
3	23,5	11,0	7,5	M00200300
4	26,0	11,5	6,5	M00200400
6	26,5	13,0	10,5	M00200600

M0225/M0125

Conexão Retra

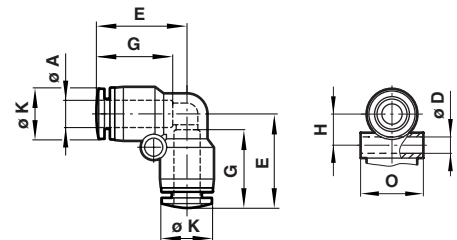
Ø A	B	C	G	G1	Ø K	Ø K1	Código
3	M3	17,0	4,0	11,0	7,0	7	M02250303
3	M5	17,5	4,5	11,0	7,0	8	M02250305
3	M6	18,0	5,0	11,0	7,0	8	M02250306
4	M3	17,5	4,0	11,5	8,0	8	M02250403
4	M5	18,0	4,5	11,5	8,0	8	M02250405
4	M6	19,0	5,0	11,5	8,0	8	M02250406
4	R1/8	19,0	6,0	11,5	8,0	12	M01250418
6	M5	19,5	4,5	13,0	10,0	10	M02250605
6	M6	20,0	5,0	13,0	10,0	10	M02250600
6	R1/8	19,5	8,0	13,0	14,5	12	M01250618

M022A/M012A

Conexão Retra
(sextavado interno)

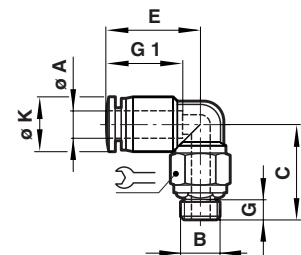
Ø A	B	C	G	G1	Ø K	1	Código
3	M3	17,0	4,0	11,0	7,0	1,5	M022A0303
3	M5	17,5	4,5	11,0	7,0	2,0	M022A0305
3	M6	18,0	5,0	11,0	8,0	2,0	M022A0306
4	M3	17,5	4,0	11,5	8,0	1,5	M022A0403
4	M5	19,0	4,5	11,5	8,0	2,5	M022A0405
4	M6	19,0	5,0	11,5	8,0	3,0	M022A0406
4	R1/8	17,5	8,0	11,5	14,0	3,0	M012A0418
6	M5	19,5	4,5	13,0	10,0	2,5	M022A0605
6	M6	20,0	5,0	13,0	10,0	3,0	M022A0606
6	R1/8	19,5	8,0	13,0	14,0	2,5	M012A0618

M0226/M0126

Conexão Retra Fêmea

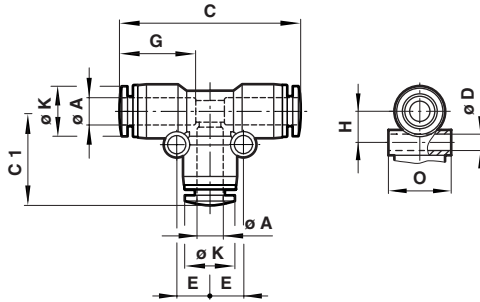
Ø A	B	C	G	G1	Ø K	Ø K1	Código
3	M3	17,5	4,0	11,0	7,0	8	M02260303
3	M5	19,0	6,0	11,0	7,0	8	M02260305
3	M6	19,0	6,0	11,0	7,0	8	M02260306
4	M5	19,5	6,0	11,5	8,0	8	M02260405
4	M6	19,5	6,0	11,5	8,0	8	M02260406
4	R1/8	23,0	8,5	11,5	8,0	12	M01260418
4	G1/8	23,0	9,0	11,5	8,0	12	M02260418
6	M5	21,5	6,0	13,0	10,0	10	M02260605
6	M6	21,5	6,0	13,0	10,0	10	M02260606
6	R1/8	25,5	8,5	13,0	10,0	12	M01260618
6	G1/8	25,5	9,0	13,0	10,0	12	M02260618

M0040

União Cotovelo

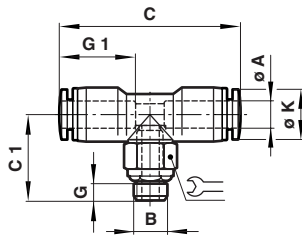
Ø A	Ø D	E	G	H	Ø K	O	Código
3	3,2	13,5	11,0	5,5	7,0	7,5	M00400300
4	3,2	14,5	11,5	6,0	8,0	8,5	M00400400
6	3,2	16,5	13,0	7,0	10,0	10,5	M00400600

M0247

Cotovelo Macho Giratório

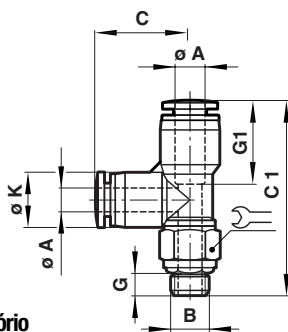
Ø A	B	C	E	G	G1	Ø K	Ø K1	Código
3	M3	16,0	13,5	3,0	11,0	7,0	8	M02470303
3	M5	17,0	13,5	4,0	11,0	7,0	8	M02470305
3	M6	17,0	13,5	4,0	11,0	7,0	8	M02470306
4	M3	16,0	14,5	3,0	11,5	8,0	8	M02470403
4	M5	17,0	14,5	4,0	11,5	8,0	8	M02470405
4	M6	17,0	14,5	4,0	11,5	8,0	8	M02470406
4	G1/8	18,0	14,5	6,0	11,5	8,0	14	M02470418
6	M5	17,0	15,5	3,5	13,0	10,0	8	M02470605
6	M6	17,0	15,5	4,0	13,0	10,0	8	M02470606
6	G1/8	18,0	15,5	5,0	12,0	10,0	14	M02470618

M0060

União 'T'

Ø A	C	C1	Ø D	E	G	H	Ø K	O	Código
3	26,5	13,5	3,2	5,5	11,0	5,5	7,0	7,5	M00600300
4	28,5	14,5	3,2	6,0	12,0	6,0	8,0	8,5	M00600400
6	33,0	16,5	3,2	7,0	13,0	7,0	10,0	10,5	M00600600

M0267

'T' Macho Central Giratório

Ø A	B	C	C1	G	G1	Ø K	⌀	Código
3	M3	25,5	16,0	3,0	11,0	7,0	8	M02670303
3	M5	29,0	17,0	4,0	11,0	7,0	8	M02670305
3	M6	27,0	17,0	4,0	11,0	7,0	8	M02670306
4	M3	28,5	16,0	3,0	11,5	8,0	8	M02670403
4	M5	28,5	17,0	3,5	11,5	8,0	8	M02670405
4	M6	29,0	17,0	4,0	11,5	8,0	8	M02670406
4	G1/8	29,0	18,0	6,0	11,5	8,0	14	M02670418
6	M5	31,0	17,0	3,5	13,0	10,0	8	M02670605
6	M6	31,0	17,0	4,0	13,0	10,0	8	M02670606
6	G1/8	31,0	18,0	6,0	13,0	10,0	14	M02670618

M0268

'T' Macho Lateral Giratório

Ø A	B	C	C1	G	G1	Ø K	⌀	Código
3	M3	13,5	29,5	3,0	11,0	7,0	8	M02680303
3	M5	13,5	30,0	4,0	11,0	7,0	8	M02680305
3	M6	13,5	30,5	4,0	11,0	7,0	8	M02680306
4	M3	14,0	30,5	3,0	11,5	8,0	8	M02680403
4	M5	14,0	31,0	3,5	11,5	8,0	8	M02680405
4	M6	14,0	31,5	4,0	12,0	8,0	8	M02680406
4	G1/8	14,0	31,5	6,0	11,5	8,0	14	M02680418
6	M5	16,5	33,5	3,5	13,0	10,0	8	M02680605
6	M6	16,5	34,0	4,0	13,0	10,0	8	M02680606
6	G1/8	16,5	33,5	6,0	13,0	10,0	14	M02680618